



JUPITER

HIGH EFFICIENCY AREA FLOODLIGHTS



Jupiter is a new generation of area floodlights that offers exceptional energy savings and outstanding performance, with an efficacy of 140lm/W as standard. This delivers savings of up to 40% compared with many other LED floodlights. The ultra-sleek die cast body is fitted with a multi-voltage driver, allowing Jupiter to be used for site lighting as well as 230V supply applications.

Features

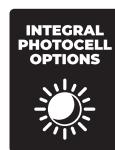
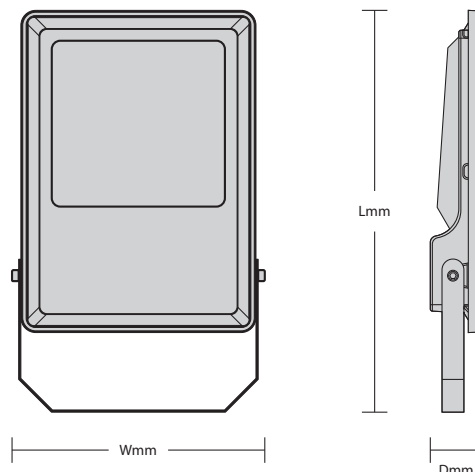
- Ultra-sleek yet robust design
- High efficiency 140lm/W – saves energy
- Multi-voltage driver, suitable for 110V & 230V supply
- Photocell option for every version
- Pre-wired with 1m cable for convenient installation



Specification

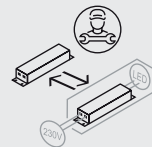
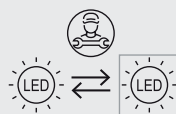
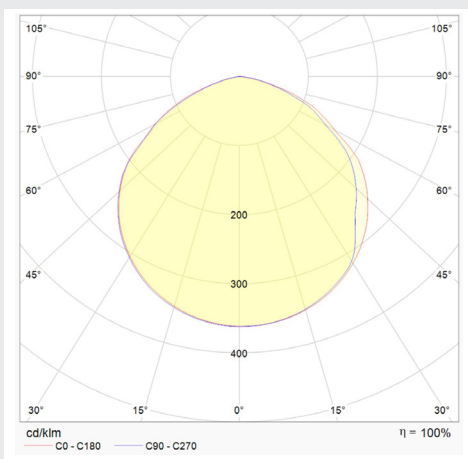
Material:	Body: Die-cast Aluminium Lens: Tempered Glass
Colour Temperature:	4000K
Colour Finish:	Black
Beam Angle	110° Symmetric
CRI	Ra>70
LED Lifetime:	L70B50 50,000 Hrs
IP Rating:	IP65
IK Rating:	IK07
Working Temperature:	-30°C to 45°C
Power Factor	0.95
Electrical Class:	Class: I
Guarantee:	5 Years

Dimensions



Product Code	Description	Wattage	Lumen Output	Efficacy	Dimensions	Weight (Kg)	Barcodes
JUPS30-40	Jupiter Flood	30W	4200 lm	140 lm/W	L: 257 x W: 247 x D: 50mm	1.3	5055807624923
JUPS50-40	Jupiter Flood	50W	7000 lm	140 lm/W	L: 257 x W: 247 x D: 50mm	1.4	5055807624930
JUPS100-40	Jupiter Flood	100W	14000 lm	140 lm/W	L: 325 x W: 236 x D: 48mm	1.8	5055807624947
JUPS135-40	Jupiter Flood	135W	18900 lm	140 lm/W	LL: 345 x W: 285 x D: 55mm	2.2	5055807624954
JUPS180-40	Jupiter Flood	180W	25200 lm	140 lm/W	L: 395 x W: 320 x D: 78mm	3.2	5055807624961
JUPS240-40	Jupiter Flood	240W	33600 lm	140 lm/W	L: 480 x W: 374 x D: 78mm	4.2	5055807624978
JUPS320-40	Jupiter Flood	320W	44800 lm	140 lm/W	L: 555 x W: 425 x D: 78mm	5.6	5055807624985
JUPS30PC-40	Jupiter Flood c/w Photocell	30W	4200 lm	140 lm/W	L: 257 x W: 247 x D: 50mm	1.3	5055807624992
JUPS50PC-40	Jupiter Flood c/w Photocell	50W	7000 lm	140 lm/W	L: 257 x W: 247 x D: 50mm	1.4	5055807625005
JUPS100PC-40	Jupiter Flood c/w Photocell	100W	14000 lm	140 lm/W	L: 325 x W: 236 x D: 48mm	1.8	5055807625012
JUPS135PC-40	Jupiter Flood c/w Photocell	135W	18900 lm	140 lm/W	L: 345 x W: 285 x D: 55mm	2.2	5055807625029
JUPS180PC-40	Jupiter Flood c/w Photocell	180W	25200 lm	140 lm/W	L: 395 x W: 320 x D: 78mm	3.2	5055807625036
JUPS240PC-40	Jupiter Flood c/w Photocell	240W	33600 lm	140 lm/W	L: 480 x W: 374 x D: 78mm	4.2	5055807625043
JUPS320PC-40	Jupiter Flood c/w Photocell	320W	44800 lm	140 lm/W	L: 555 x W: 425 x D: 78mm	5.6	5055807625050

Light Distribution Curve



www.redarrowelectrical.co.uk